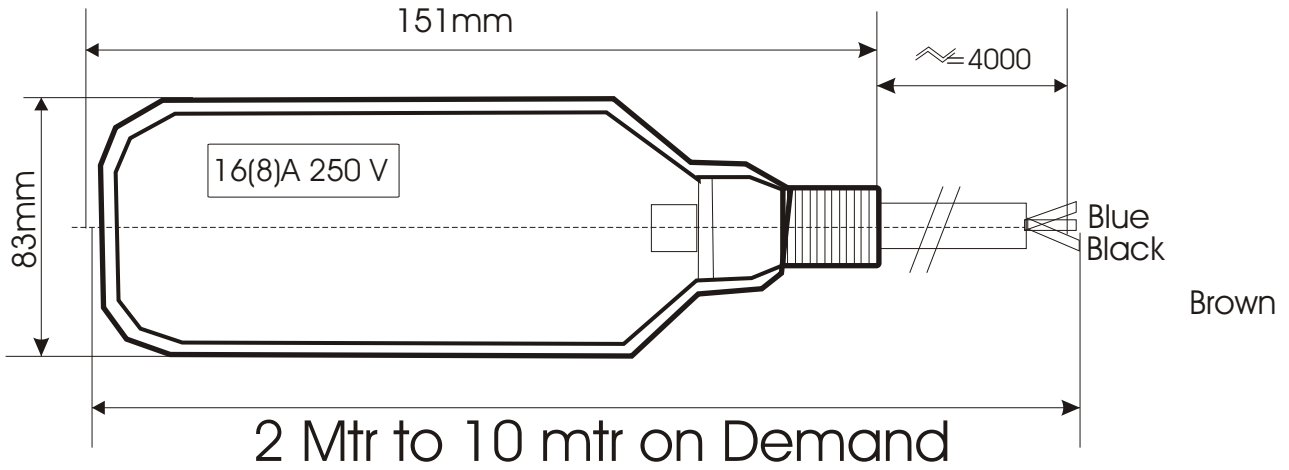
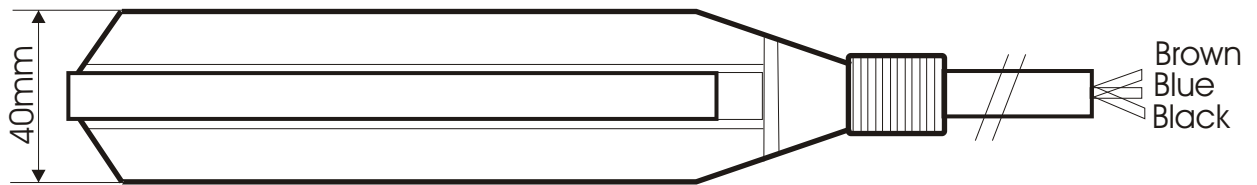


FLOAT SWITCH & EXTERNAL DIMENSION CURVES

Product Model

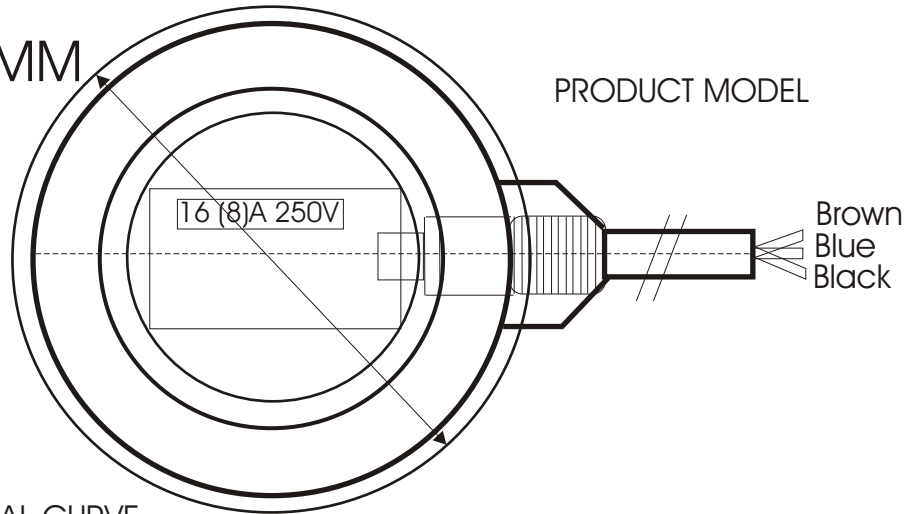


External Dimensional Curve



φ79.5 MM

PRODUCT MODEL



EXTERNAL DIMENSIONAL CURVE

